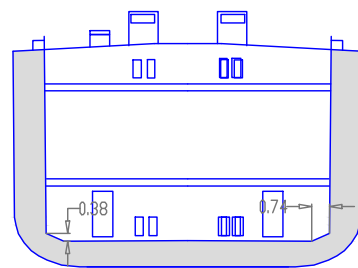
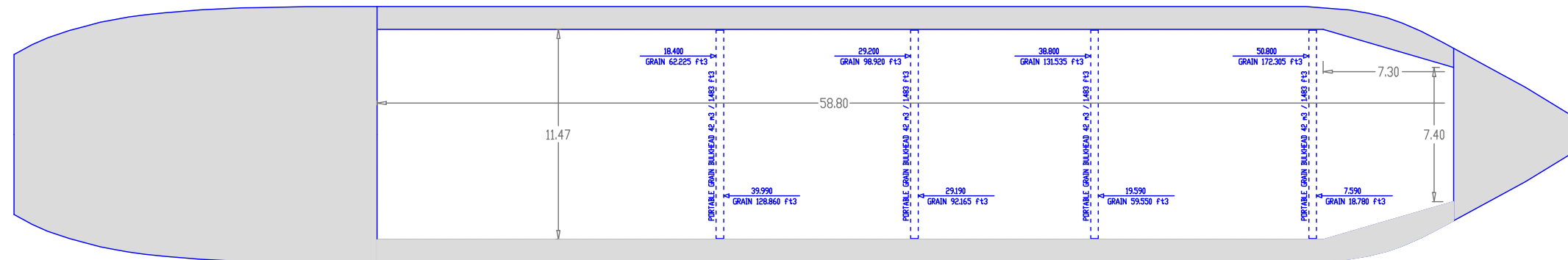
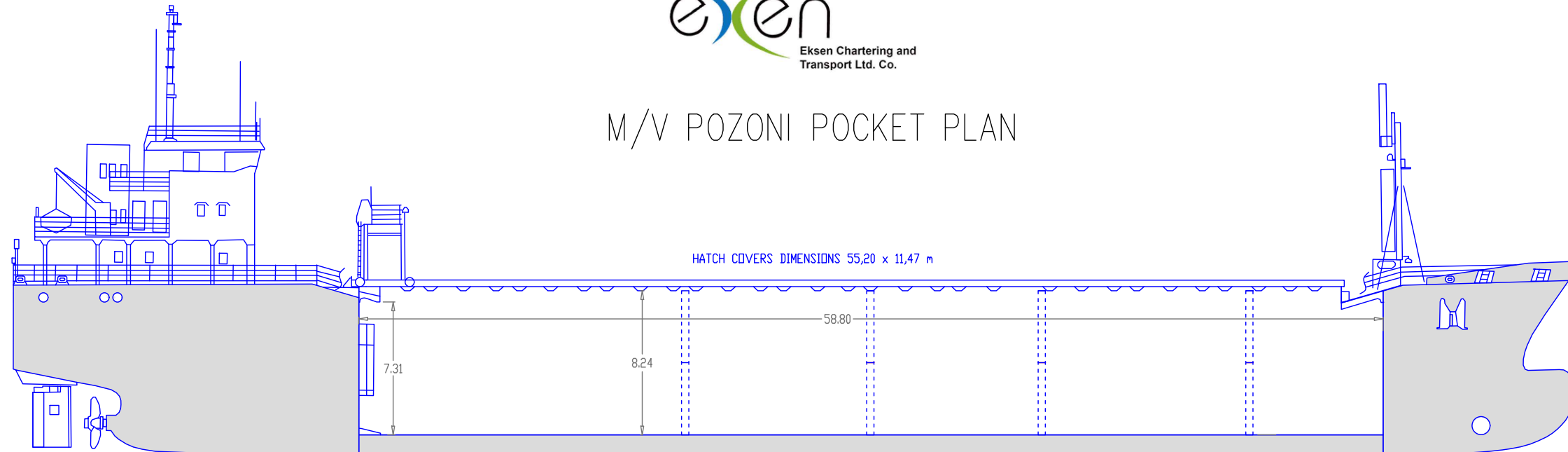
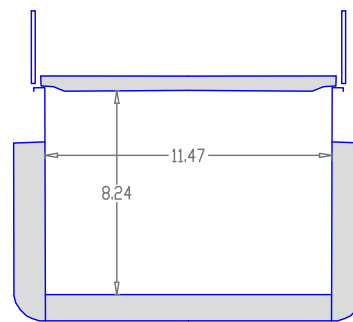


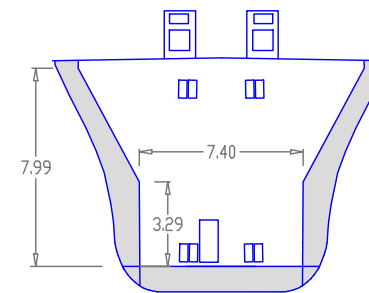
M/V POZONI POCKET PLAN



AFT BULKHEAD VIEW



MIDSHIP VIEW



FORE BULKHEAD VIEW

SHIP SUMMARY

TYPE & PROPERTIES	: MULTI-PURPOSE DRY CARGO SHIP
DWT	: 4.672 ton
HOLD DIMENSIONS	: 1 BOX HOLD 58,8 x 11,47 x 8,24 m
HATCH COVERS DIMENSIONS	: 55,20 x 11,47 m
IMO NO	: 9518426
LOA / LBP / B / D / d	: 89,99 / 84,43 / 14,00 / 7,15 / 5,96 m
GRAIN/BALE CAP	: 5.522 m ³ grain/bale 195.000 cft grain/bale
CONTAINER CAPACITY	: Cargo Hold 102 + Hatch 36 = 138 TEU : Cargo Hold 48 + Hatch 16 = 64 FEU
STRENGTHS	: Tank Top 12 mt/sqm Hatch Cover 2,7 mt/sqm