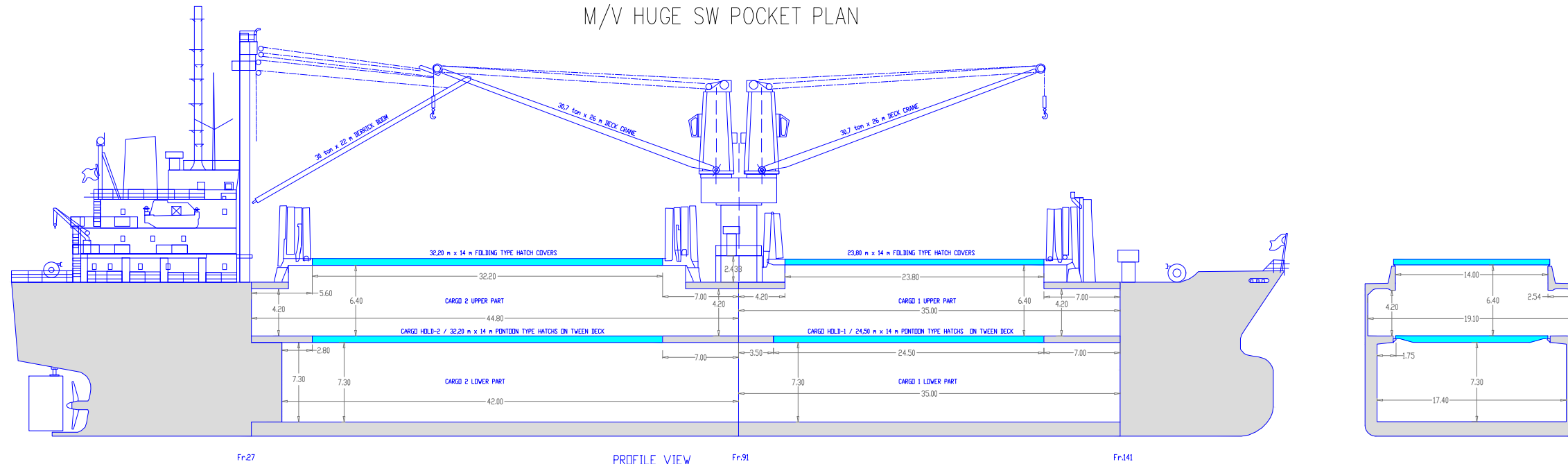
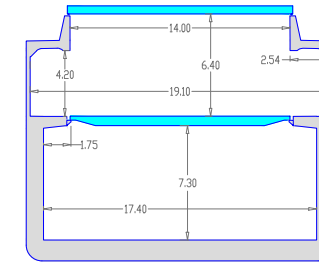


M/V HUGE SW POCKET PLAN

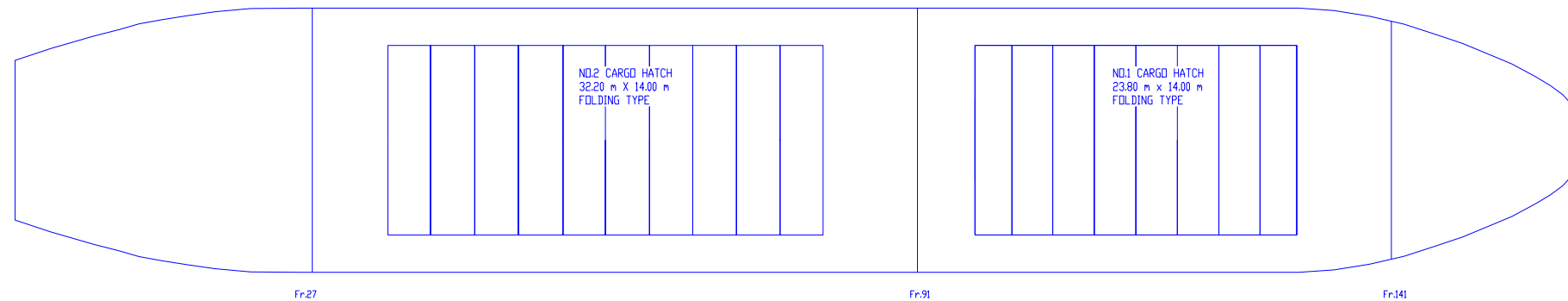


Fr.27 PROFILE VIEW Fr.91 Fr.141

PROFILE VIEW

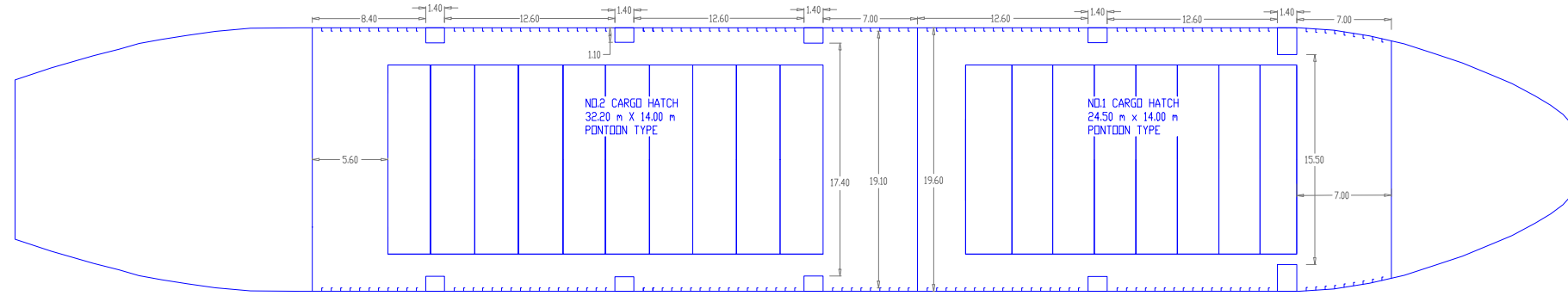


MAIN DECK



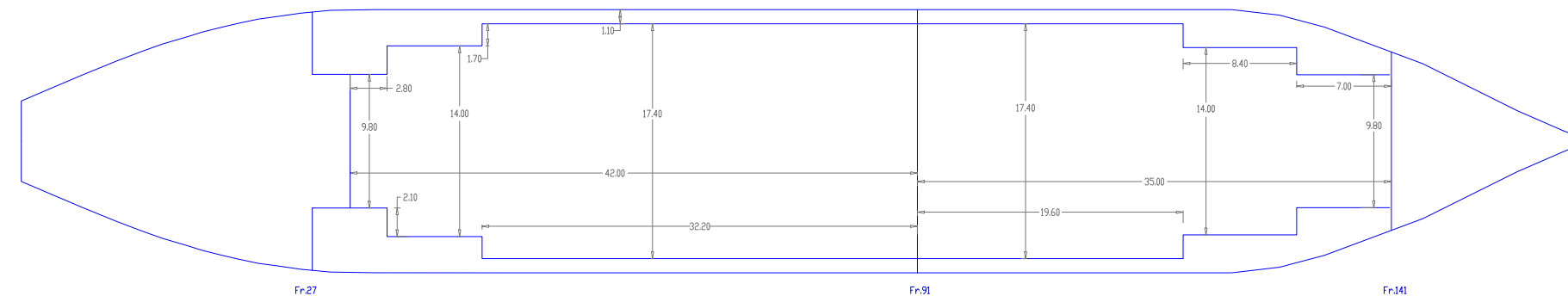
Fr.27 Fr.91 Fr.141

TWEEN DECK



Fr.27 Fr.91 Fr.141

LOWER DECK



Fr.27 Fr.91 Fr.141

SHIP SUMMARY	
TYPE & PROPERTIES	: GENERAL CARGO SHIP
DWT	: 11,939 ton
HOLD DIMENSIONS	: 2 HOLDS DIMENSIONS AS BELOW CH-1 UPPER HOLD 35,00x19,10x6,40 m CH-1 LOWER DECK 35,00x17,40x7,30 m CH-2 UPPER HOLD 44,80x19,10x6,40 m CH-2 LOWER DECK 44,80x17,40x7,30 m
HATCH COVERS DIMENSIONS	: CH-1 MAIN DECK 23,80x14 m (FOLDING TYPE) CH-1 TWEEN DECK 24,50x14 m (PONTON TYPE) CH-2 MAIN DECK 32,20x14 m (FOLDING TYPE) CH-2 TWEEN DECK 32,20x14 m (PONTON TYPE)
IMO NO	: 9519511
LDA/LBP/B/D/Tween/d	: 116,99 / 109,01 / 19,60 / 14,0 / 9,20 / 8,86 m
GRAIN/BALE CAP	: GRAIN 17,620,24 m <sup>3</sup> / 622,258 cft BALE 16,958,78 m <sup>3</sup> / 598,900 cft
DECK CRANES	: 2 pcs 30,7 ton x 26 m / COMBINED 614 ton 1 set DERRICK 30 ton x 22 m
STRENGTHS	: Tank Top (Inner bottom) local 15 mt/sqm Tank Top (Inner bottom) uniform 12 mt/sqm Tween deck 3,5 mt/sqm (ponton type hatches) Hatch Covers 1,5 mt/sqm